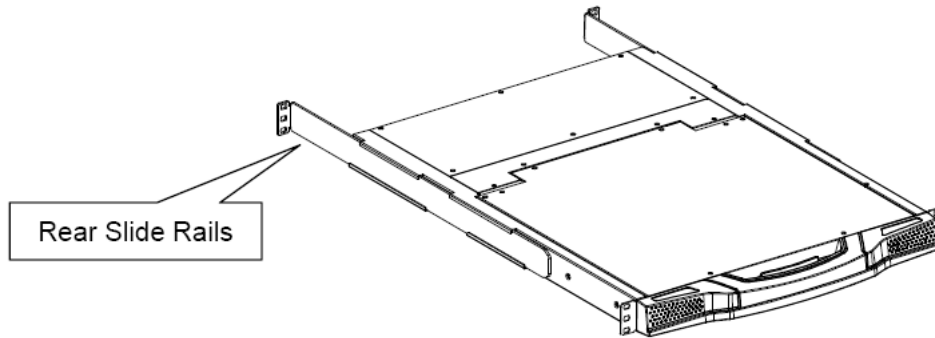
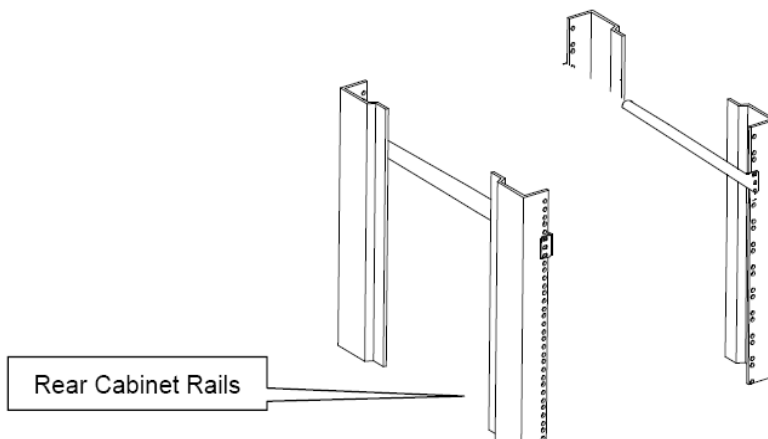


**Step 1**

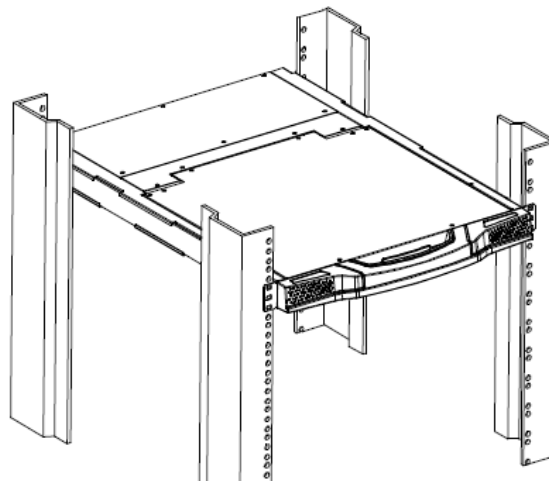
Slide out and remove the two rear slide rails from the LCD console drawer.

**Step 2**

Attach the two rear slide rails to the rear vertical mounting rails of the rack cabinet using standard M6 cage nuts and screws.

**Step 3**

Position the LCD console drawer so the two rear slide rails will slide into the main body of the LCD console drawer. Attach the mounting ears of the LCD console drawer to the front vertical mounting rails of the rack cabinet using standard M6 cage nuts and screws.

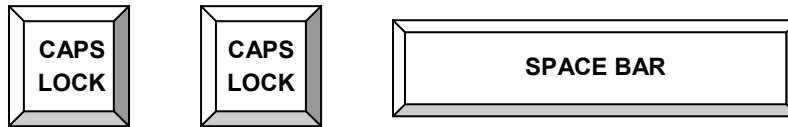




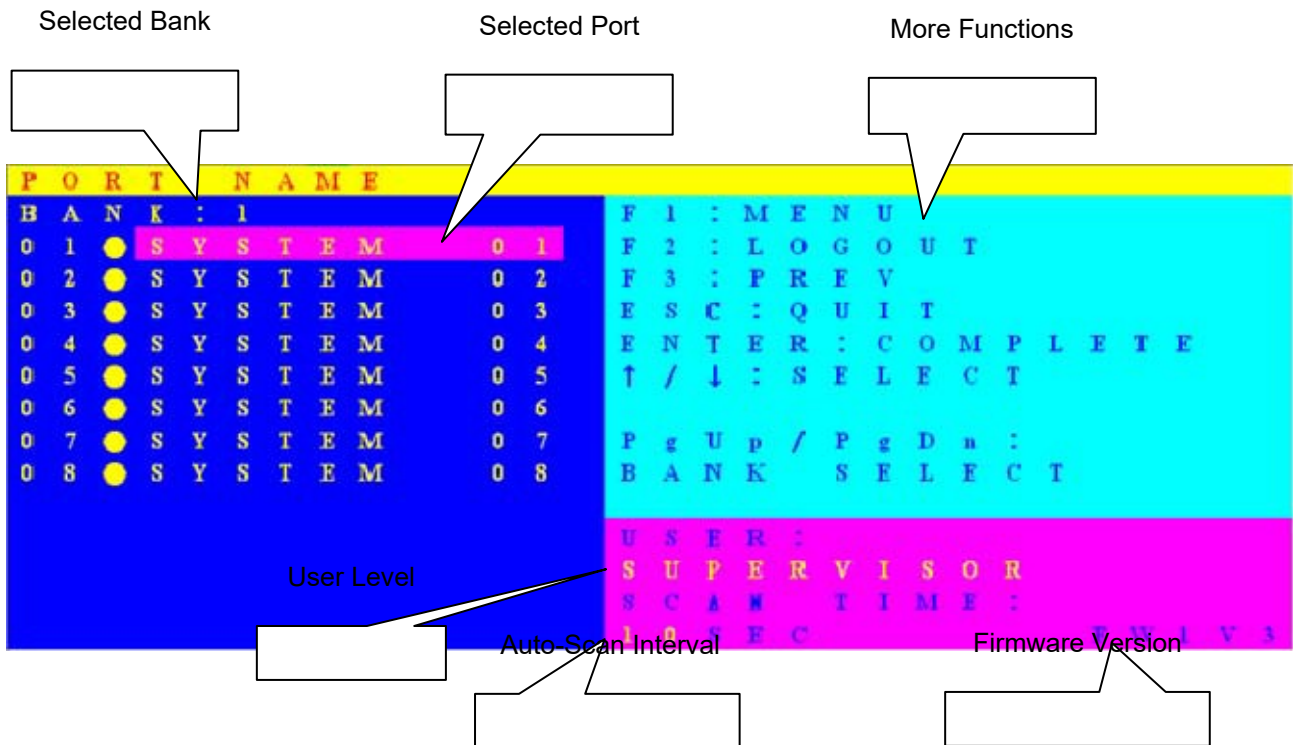
The following information is for LCD console drawer models with integrated 8 port or 16 port KVM switch.

## On-Screen-Display (OSD)

To bring up the OSD window, press CAPS LOCK + CAPS LOCK + SPACE BAR



The OSD overlay screen will appear. This overlay menu screen is generated by the LCD drawer and does not affect your computer hardware or software function in any way.



Please refer to the "LCD KVM User Manual" included for more details setup and operation.